


欧特克设计制造一体化解决方案

陶博旭 | Boxu Tao, D&M-TS



- ▶ 设计篇
- ▶ 制造篇
- ▶ 平台篇



The background of the image shows a factory floor with two robotic arms. The arm on the right is actively welding a metal piece, creating a bright blue flame and a shower of orange sparks. The arm on the left is white and appears to be in a different position. The factory structure, including beams and lights, is visible in the background.

设计篇



**AUTODESK® PRODUCT
DESIGN & MANUFACTURING
COLLECTION**

AnyCAD

Colt Shock Absorbers
Part Number: SCK-12-112

Unigraphics NX

Venco Valves
Part Number: L14-566737752

Solidworks

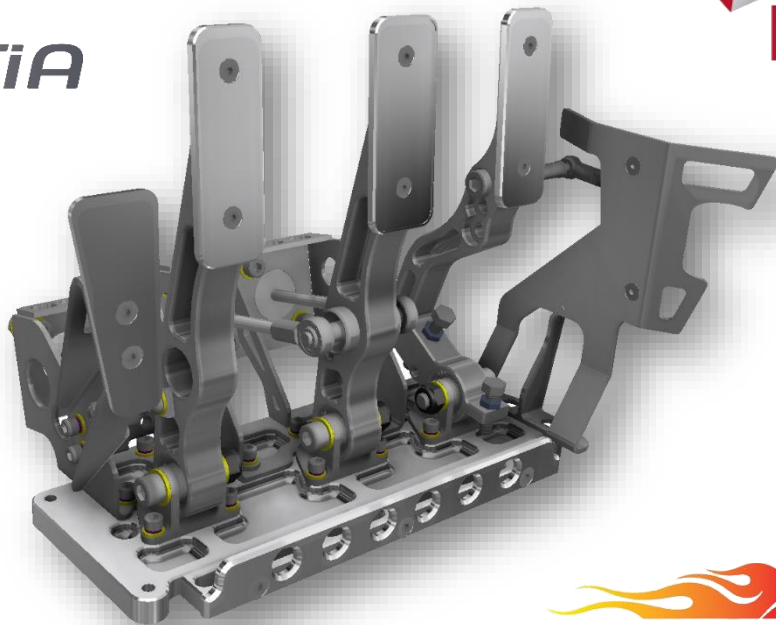
JML Castings Ltd
Part Number: L14-56673

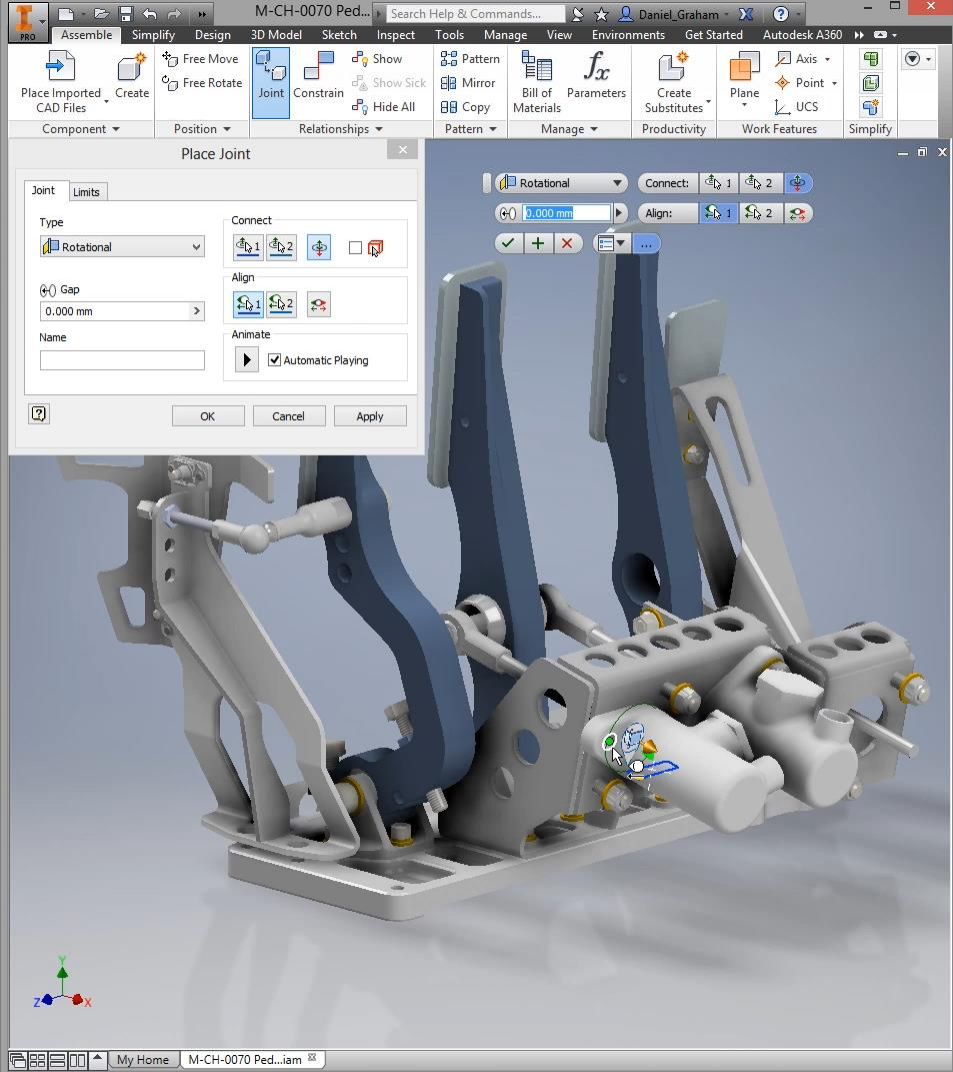
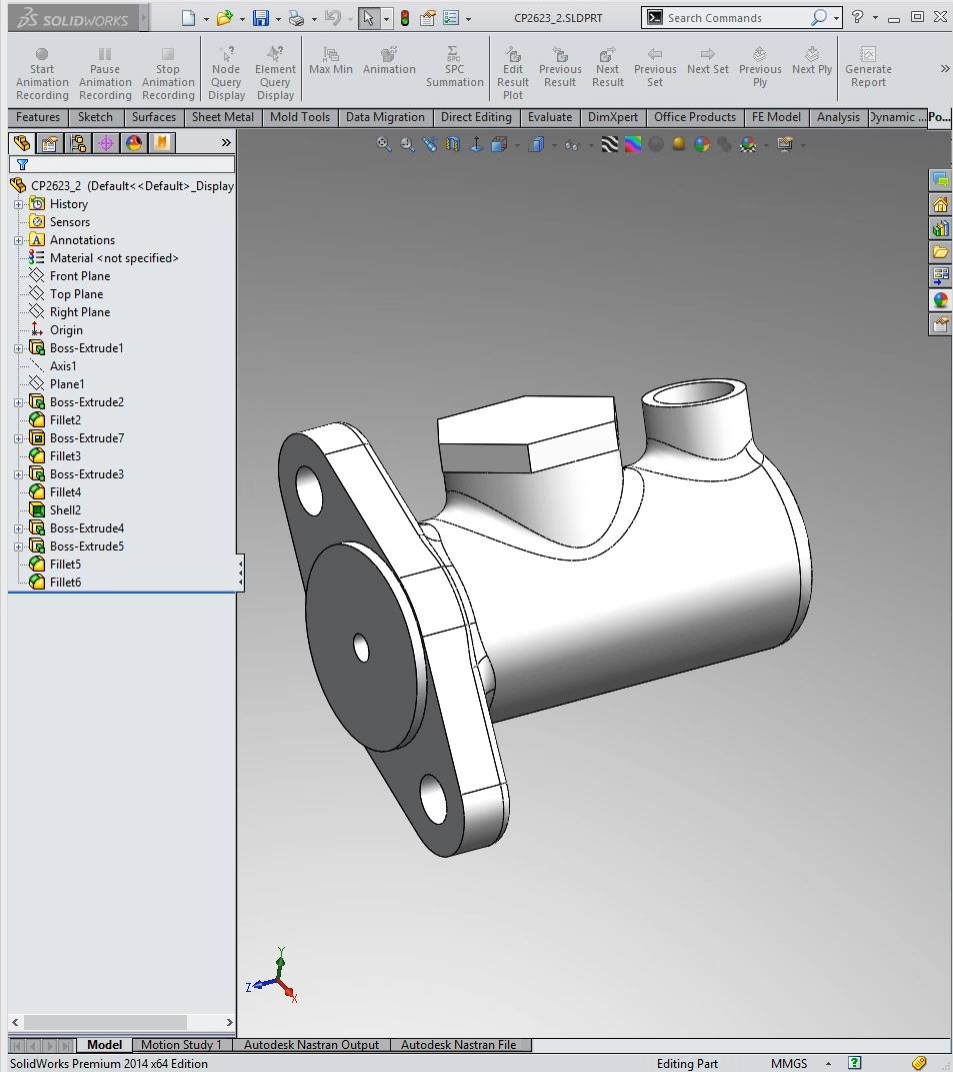
HVT Composite
Supplies
Part Number: CS5521

Creo

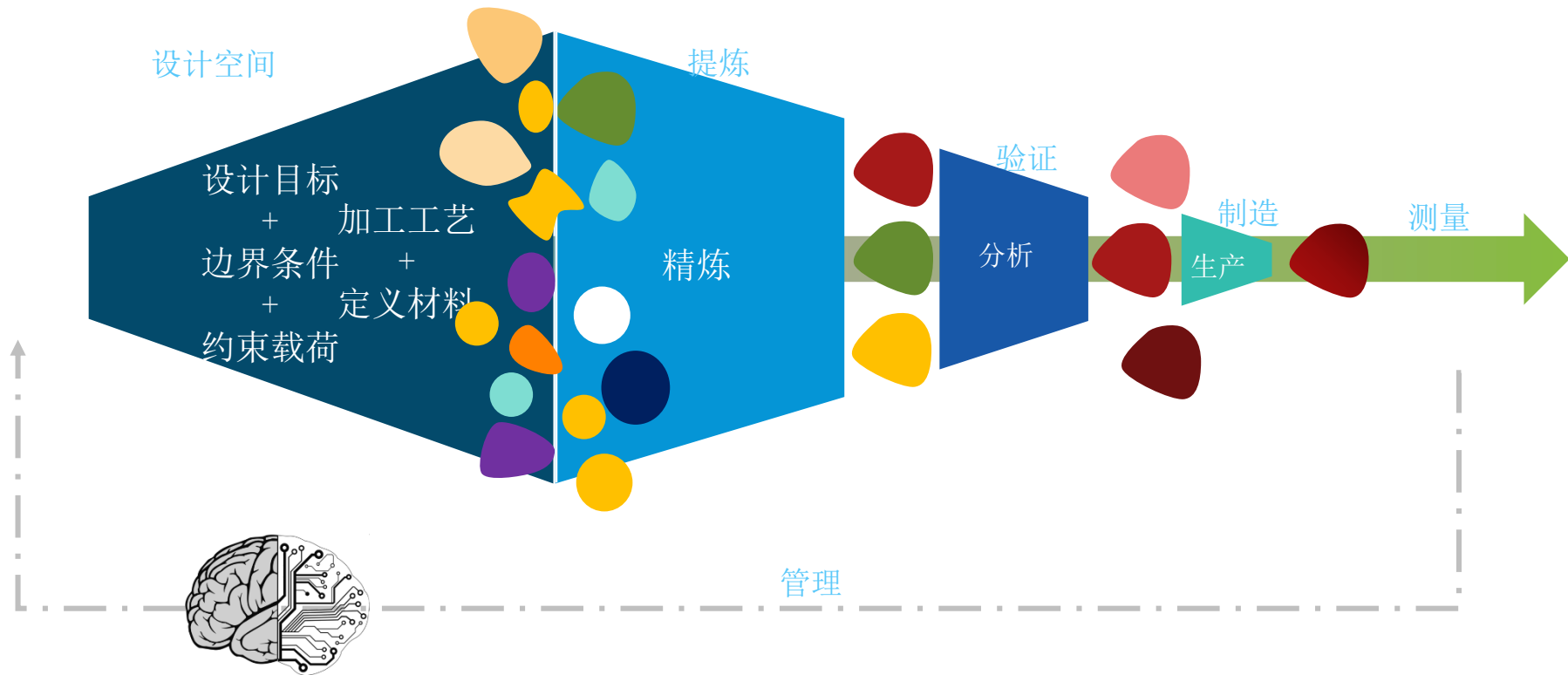
Inventor

整合各种数据格式，实现同步关联更新





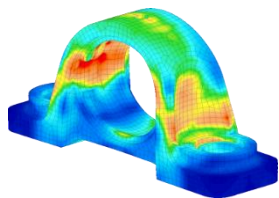
衍生式设计 | 发散的设计





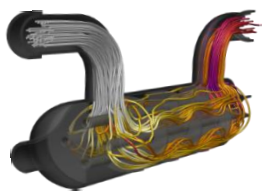
Autodesk仿真产品

结构力学



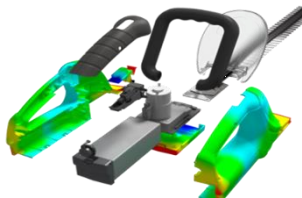
 | AUTODESK®
NASTRAN® IN-CAD

流体和热分析



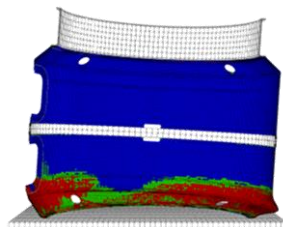
 | AUTODESK® CFD

成型工艺



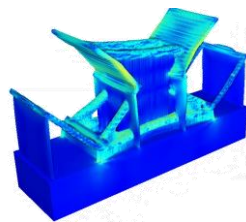
 | AUTODESK® MOLDFLOW
 | AUTODESK®
MOLDFLOW® DESIGN

复合材料



 | AUTODESK® HELIUS PFA

3D打印



 | AUTODESK® NETFABB
SIMULATION

The background of the image shows a factory floor with several robotic arms. One arm in the foreground is actively welding a metal piece, creating a bright blue light and a shower of orange sparks. The factory structure, including steel beams and overhead lights, is visible in the background.

制造篇



**AUTODESK® PRODUCT
DESIGN & MANUFACTURING
COLLECTION**

欧特克CAM家族



AUTODESK® HSM

零件高速加工(CAD集成·包含2.5轴、3轴、车铣复合加工)



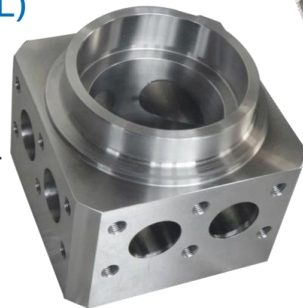
AUTODESK® POWERMILL®

模具及航天零件高速加工(包含3轴到5轴同动及机械手集成加工)



AUTODESK® FEATURECAM®

零件加工自动化(几何辨识·包含2.5轴、3轴、车铣复合加工)

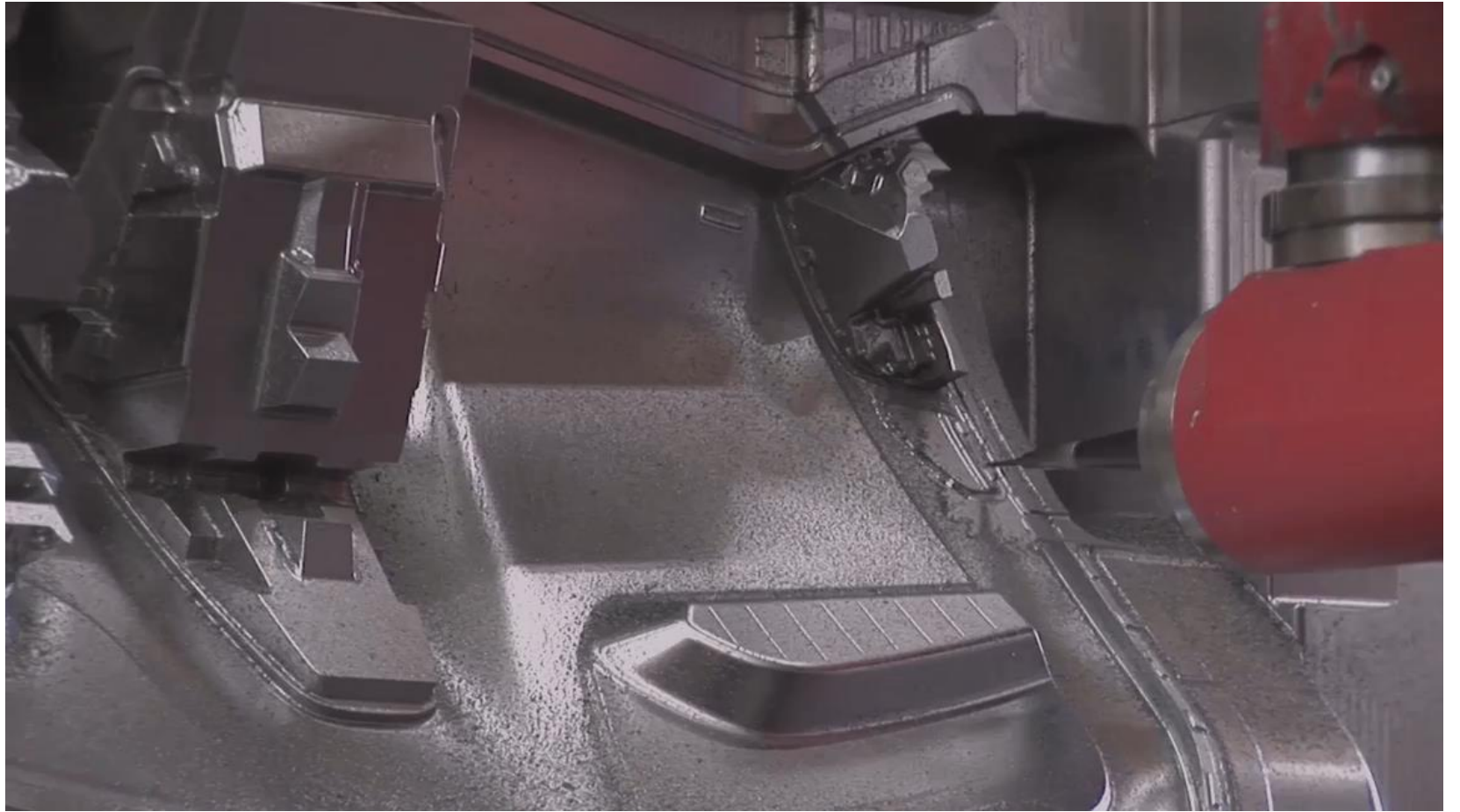


AUTODESK® ARTCAM®

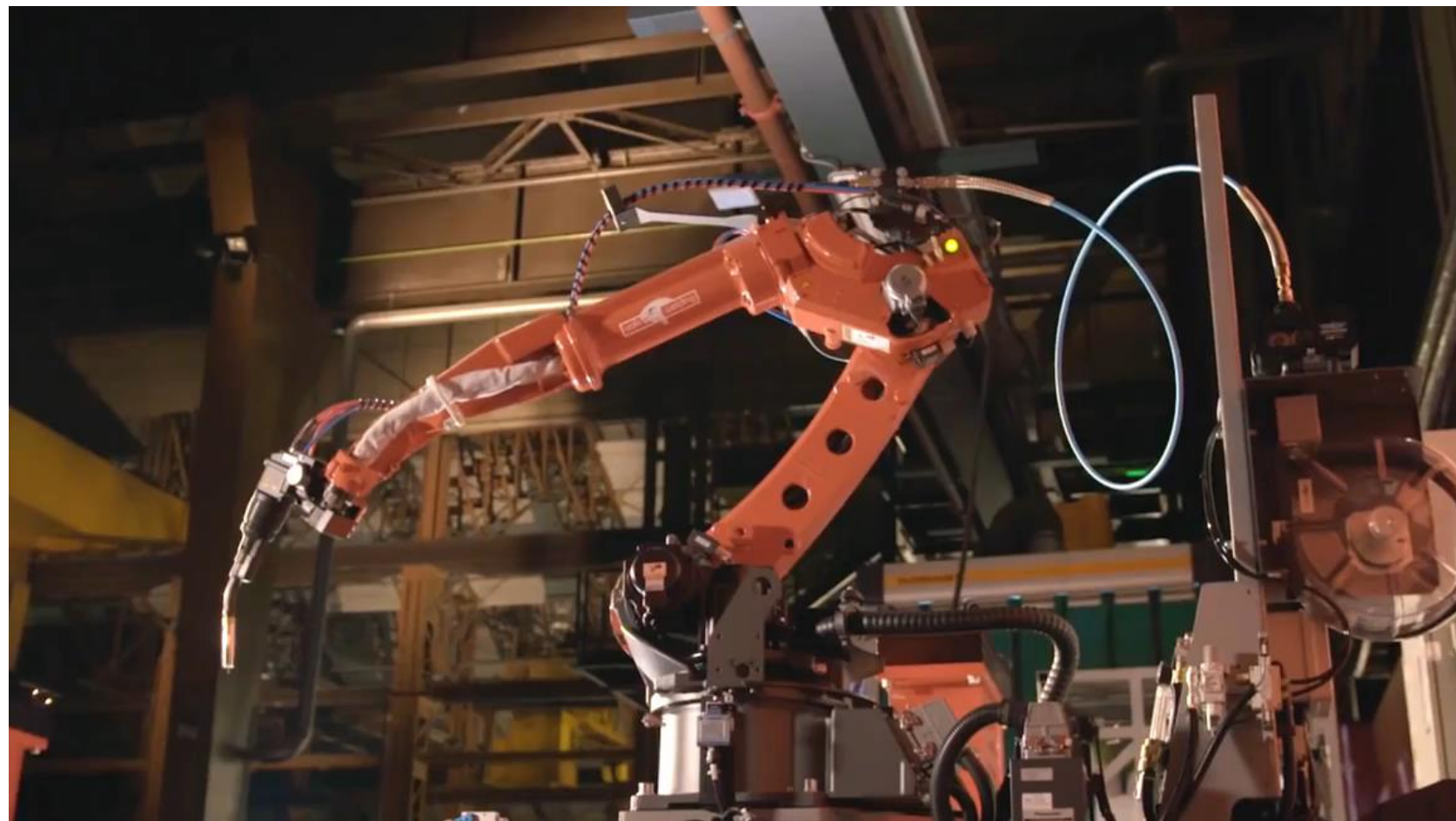
浮雕建模及数控加工(仅发行至2018版)

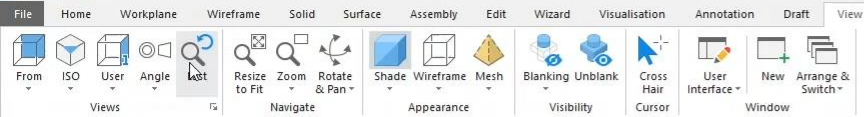


高效高品质减材加工



工业机器人加工





Explorer

- M-FS-1004_Body1
- M-FS-1053_Body1
- M-SP-1031_Body1
- M-FS-1050_Body1
- M-SP-1048_Body1
- M-SP-1038_Body1
- M-SP-1068_Body1
- M-SP-1034_Body1
- DIN 6921 - M6 x 20
- M-ST-1004_Body1
- M-FS-1042_Body1
- M-SP-1044_Body1
- M-SP-1045_Body1
- M-SP-1046_Body1
- M-FS-1059_Body1
- M-FS-1016_Body1
- M-FS-1015_Body1
- M-FS-1058_Body1
- M-RS-1004_Body1
- M-SP-1076_Body1
- M-FS-1044_Body1
- M-FS-1001_Body1
- M-RS-1003_Body1
- M-SP-1024_Body1
- M-SP-1087_Body1
- M-SP-1085_Body1
- M-SP-1086_Body1
- M-SP-1084_Body1
- M-FS-1045_Body1
- DIN 985 - M10_Body1
- DIN 125 - A 10_Body1
- DIN 6912 - M10 x 60
- DIN EN ISO 4762 - M
- DIN 125-1 - B 10_Box
- DIN 6912 - M10 x 50
- M-SP-1042_Body1
- M-ST-1032_Body1
- M-ST-1033_Body1
- DIN EN ISO 4762 - M
- 86
- M-FS-1043_Body1



0 1 2 3 4 5 10 15 20 25 30

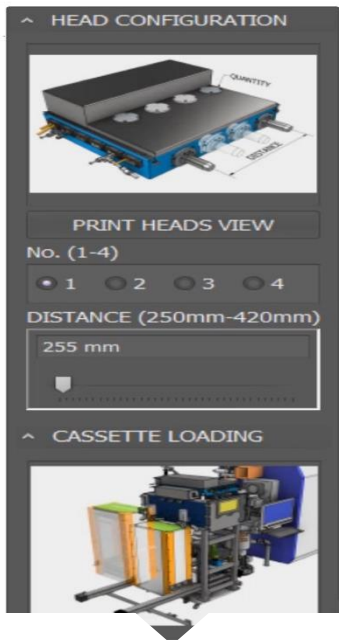
The background of the image shows a factory floor with several robotic arms. One arm in the foreground is actively welding a metal piece, creating a bright blue flame and a shower of orange sparks. The scene is lit with industrial lights, and the overall atmosphere is one of active manufacturing.

平台篇

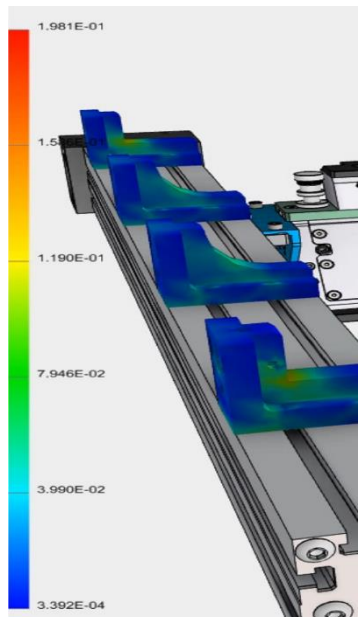


**AUTODESK® PRODUCT
DESIGN & MANUFACTURING
COLLECTION**

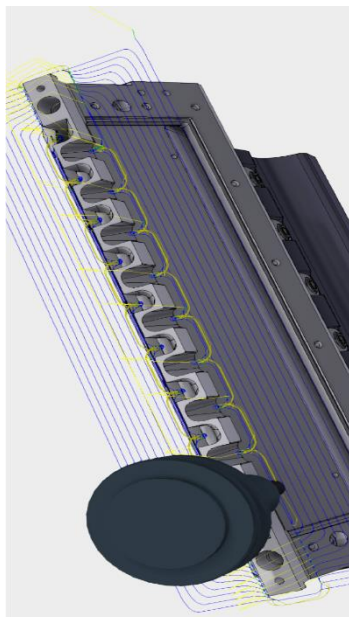
Inventor实现端到端的工作流



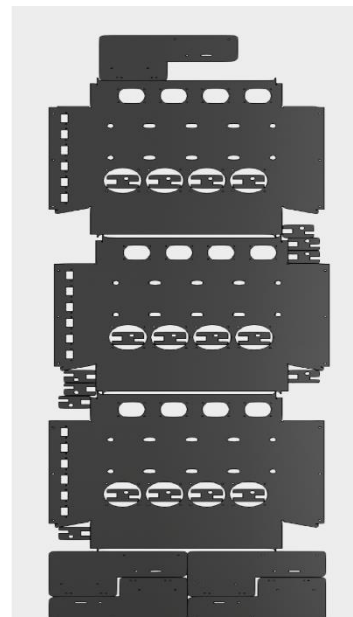
专业级的设计自动化



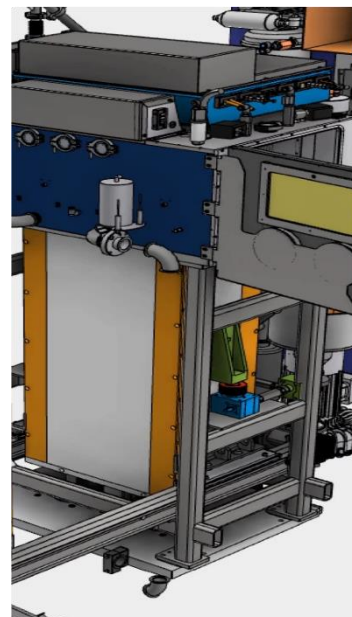
高级非线性仿真



2.5-轴 到5-轴 CAM



钣金自动优化排料



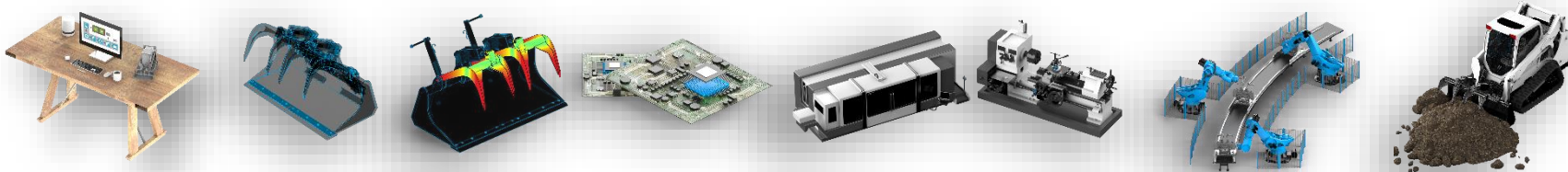
工厂设计

设计

完整的产品数据管理

制造

AUTODESK[®] FUSION 360[™]



产品设计

产品仿真

制造工艺

布局

运维

数据管理

衍生式设计

概念设计

机械设计

仿真

工程图

工厂规划

加工

增材制造

模具

生产管理

生产监控

RENDER ▾ SETUP ▾ IN-CANVAS RENDER ▾ RENDER ▾

BROWSER

SwingArm v3



Excellent Final Infinite

Elapsed time: 886 sec

Iteration number: 419

COMMENTS

Navigation icons: pan, rotate, zoom, etc.



AUTODESK®

Make anything™